



DESCRIPTION

Nordic Exterior™ Yakak Stone is a natural, thin cut stone consisting of light beige, tan, light gray, blue, white, amber, brown, and red. Mosaic pattern stone veneer consists of irregular pieces of natural stone for siding, facing, and cladding. The shapes consist primarily of triangles and stop signs, similar to the mosaic dimensions created from broken ice. Sold as individual stones not stone panels.

DIMENSIONS

- Facing Area:** 0.25–1.25 SF
- Size Range:** (4.5 inches x 8 inches) to (11 inches x 16 inches) 1
- Thickness:** inch +/- ¼ inch
- Weight:** Less than 14 lbs per SF

PACKAGING

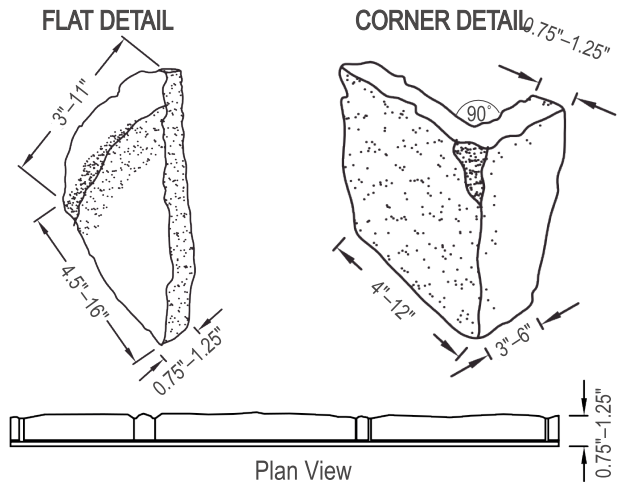
- Flat Crate:** 168 SF (SKU# VTMSFW) 5
- Flat Box:** SF (SKU# VTMSFS)
- Corner Crate:** 150 LF (SKU# VTMSCW)
- Corner ½ Crate:** 75 LF (SKU# VTMSCH)
- Corner Box:** 5 LF (SKU# VTMSCS)

PROFILE

- Colors:** Tan, light gray, beige, red, brown, and white
- Finish:** Natural, aged face

APPLICATIONS

This product is HCA (Harsh Climate Approved). It has been subjected to numerous freeze-thaw cycles and can withstand the harshest hot, cold, or wet climates. Perfect for interior and exterior use in all regions including applications below grade. Suitable for use near salt water, water features, and in areas where blowing sand is a concern. www.nordicext.com



INSTALLATION

Thin Veneer installation information is available on our website www.nordicext.com. A mock-up is recommended to help in all design decisions including grout color, joint size (dry-laid, standard, or wide), and desired finish. www.nordicext.com

LEED® CERTIFICATION & ENERGY EFFICIENCY

Whether it's for a commercial building or historical restoration, this natural building material can assist with the LEED certification. Functionally, stone will retain heat in the winter and cold in the summer, enhancing energy efficiency. www.nordicext.com

CORNERS

Matching 90° corners are available in all colors and shapes. When other angles are needed, the installation options are weaving (alternating flats) or miter cutting flat pieces to wrap the corner. www.nordicext.com



DESCRIPTION

Nordic Exterior™ Yakak Stone is a natural, thin cut stone consisting of light beige, tan, light gray, blue, white, amber, brown, and red. Pieces are roughly square and roughly rectangular in shape. Sold as individual stones not stone panels.

DIMENSIONS

- Facing Area:** 0.25–1.25 SF
- Size Range:** (4.5 inches x 8 inches) to (11 inches x 16 inches) 1
- Thickness:** inch +/- ¼ inch
- Weight:** Less than 14 lbs per SF

PACKAGING

- Flat Crate:** 168 SF (SKU# VTRSFW) 5
- Flat Box:** SF (SKU# VTRSFS)
- Corner Crate:** 150 LF (SKU# VTRSCW)
- Corner ½ Crate:** 75 LF (SKU# VTRSCH)
- Corner Box:** 5 LF (SKU# VTRSCS)

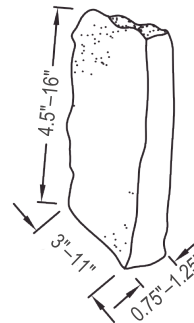
PROFILE

- Colors:** Tan, light gray, beige, red, brown, and white
- Finish:** Natural, aged face

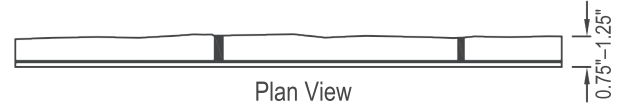
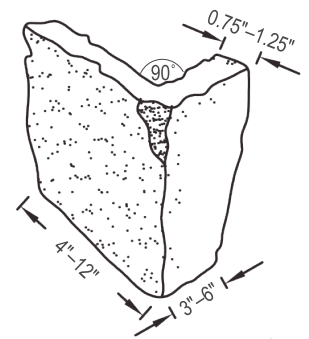
APPLICATIONS

This product is HCA (Harsh Climate Approved). It has been subject-ed to numerous freeze-thaw cycles and can withstand the harshest hot, cold, or wet climates. Perfect for interior and exterior use in all re-gions including applications below grade. Suitable for use near salt water, water features, and in areas where blowing sand is a concern. www.nordicext.com

FLAT DETAIL



CORNER DETAIL



INSTALLATION

Thin Veneer installation information is available on our website www.nordicext.com. A mock-up is recom-mended to help in all design decisions including grout col-or, joint size (dry-laid, standard, or wide), and desired finish. www.nordicext.com

LEED® CERTIFICATION & ENERGY EFFICIENCY

Whether it's for a commercial building or historical resto-ration, this natural building material can assist with the LEED certification. Functionally, stone will retain heat in the win-ter and cold in the summer, enhancing energy efficiency. www.nordicext.com

CORNERS

Matching 90° corners are available in all colors and shapes. When other angles are needed, the installation options are weav-ing (alternating flats) or miter cutting flat pieces to wrap the cor-ner. www.nordicext.com



DESCRIPTION

Nordic Exterior™ Yakak Stone is a natural, thin cut stone consisting of light beige, tan, light gray, pink, white, and brown. The Ledge-stone pattern of stone veneer consists of thin strips of natural stone for cladding. Stacked, dry, jointed, or over-grout looks available from installation technique chosen by the installer. Sold as individual stones not stone panels.

DIMENSIONS

Height:	1–4 inches
Length:	4–12 inches
Thickness:	1 inch +/- ¼ inch
Weight:	Less than 14 lbs per SF

PACKAGING

Flat Crate:	168 SF (SKU# VTLSEW)5
Flat Box:	SF (SKU# VTLSEFS)
Corner Crate:	150 LF (SKU# VTLSCW)
Corner ½ Crate:	75 LF (SKU# VTLSCH)
Corner Box:	5 LF (SKU# VTLSCS)

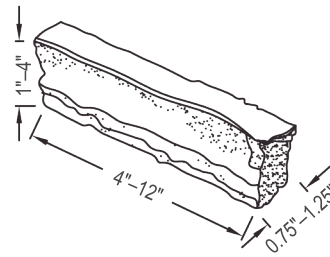
PROFILE

Colors:	Tan, light gray, beige, pink, brown, and white
Finish:	Split, textured face

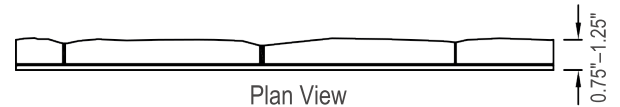
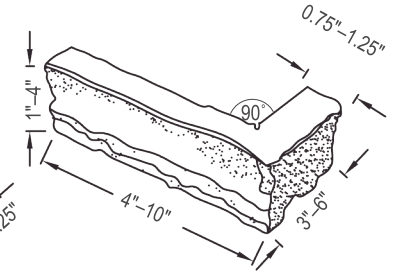
APPLICATIONS

This product is HCA (Harsh Climate Approved). It has been subject-ed to numerous freeze-thaw cycles and can withstand the harshest hot, cold, or wet climates. Perfect for interior and exterior use in all re-gions including applications below grade. Suitable for use near salt water, water features, and in areas where blowing sand is a concern.
www.nordicext.com

FLAT DETAIL



CORNER DETAIL



INSTALLATION

Thin Veneer installation information is available on our website www.nordicext.com. A mock-up is recom-mended to help in all design decisions including grout col-or, joint size (dry-laid, standard, or wide), and desired finish.
www.nordicext.com

LEED® CERTIFICATION & ENERGY EFFICIENCY

Whether it's for a commercial building or historical resto-ration, this natural building material can assist with the LEED certification. Functionally, stone will retain heat in the win-ter and cold in the summer, enhancing energy efficiency.
www.nordicext.com

CORNERS

Matching 90° corners are available in all colors and shapes. When other angles are needed, the installation options are weav-ing (alternating flats) or miter cutting flat pieces to wrap the cor-ner.
www.nordicext.com



DESCRIPTION

Ashlar Face Veneer is taller than Ledgestone veneer with a roughly rectangular shape. Its face shows that the stone has been split apart, revealing the vibrant and more varied colors of the inside grain of the stone. Nordic Exterior™ Yakak Stone is a natural, thin cut stone consisting of light beige, tan, light gray, pink, white, and brown. Sold as individual stones not stone panels.

DIMENSIONS

Height:	3–7 inches
Length:	4–14 inches
Thickness:	1 inch +/- ¼ inch
Weight:	Less than 14 lbs per SF

PACKAGING

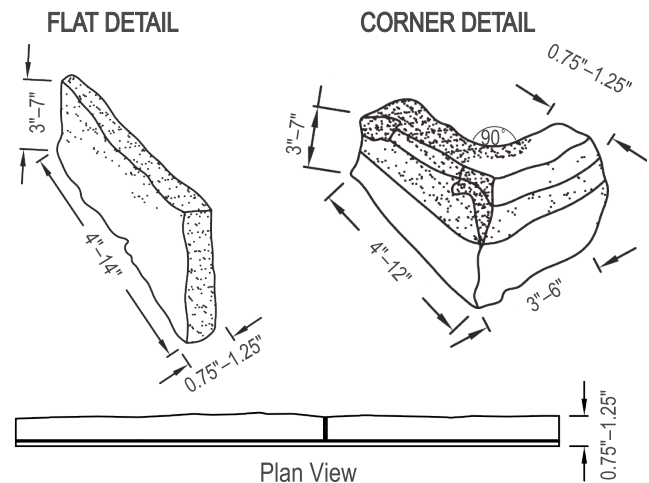
Flat Crate:	168 SF (SKU# VTASFW) 5
Flat Box:	SF (SKU# VTASFS)
Corner Crate:	150 LF (SKU# VTASCW)
Corner ½ Crate:	75 LF (SKU# VTASCH)
Corner Box:	5 LF (SKU# VTASCS)

PROFILE

Colors:	Tan, light gray, beige, pink, brown, and white
Finish:	Split, textured face

APPLICATIONS

This product is HCA (Harsh Climate Approved). It has been subjected to numerous freeze-thaw cycles and can withstand the harshest hot, cold, or wet climates. Perfect for interior and exterior use in all regions including applications below grade. Suitable for use near salt water, water features, and in areas where blowing sand is a concern.
www.nordicext.com



INSTALLATION

Thin Veneer installation information is available on our website www.nordicext.com. A mock-up is recommended to help in all design decisions including grout color, joint size (dry-laid, standard, or wide), and desired finish.
www.nordicext.com

LEED® CERTIFICATION & ENERGY EFFICIENCY

Whether it's for a commercial building or historical restoration, this natural building material can assist with the LEED certification. Functionally, stone will retain heat in the winter and cold in the summer, enhancing energy efficiency.
www.nordicext.com

CORNERS

Matching 90° corners are available in all colors and shapes. When other angles are needed, the installation options are weaving (alternating flats) or miter cutting flat pieces to wrap the corner.
www.nordicext.com